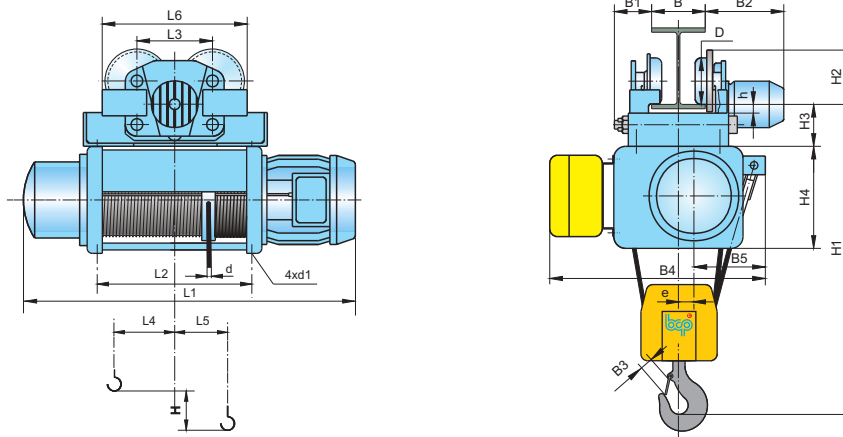


## Monorail trolley, standard headroom - Reeving 4/1



Type	Lifting height, H, m	Size of drums, table 1	Capacity, kg	General dimensions, mm																						
				L1				L2	L3	L4	L5	L6	B	B1 <sub>max</sub>	B2 <sub>max</sub>	B3	B4	B5	H1	H2	H3	H4	D	d	e	h
				V1	V1/M1	V2	V2/M2																			
MH 3-05	6,5	03	2000	925	965	925	965	429	240	90	45	450	90 ... 130	115	360	40	650	229,5	894	155	157,5	321	125	7	25	42,5
MHM 4-10	6	03	4000	1025	1095	1025	1095	441	240	65	25	450	130 ... 150	115	360	50	730	254	1049	155	157,5	366	125	10	15	42,5
MHM 5-16	5,5	03	6300	1090	1175	1120	1175	491	280	67	35	520	130 ... 150	120	365	56	730	254	1106	187	175	366	160	12 (10)	15	43

Minimum railway radius -  $R_{min}$ , mm

Type	$R_{min}^{**}$
MH 3- ...	2500
MHM 4- ...	2500
MHM 5- ...	3500